

DS-7600HUHI-F/N SERIES TURBO HD DVR

Features and Functions



Video Input and Transmission

- Connectable to HDTV, AHD and analog cameras
- Up to 8/16/32-ch 8 MP IP cameras input for DS-7604/7608/7616HUHI-F/N
- Long distance transmission over UTP and coaxial cable

Compression and Recording

- One-key enable H.264+ compression to improve encoding efficiency by up to 50% and reduces data storage costs
- Full channel recording at up to 3 MP resolution

Video Output

- Simultaneous HDMI/VGA output at up to 1920 × 1080 resolution for DS-7604HUHI-F1/N; for DS-7608/7616HUHI-F2/N, HDMI and VGA output can be configured simultaneous or independent. If simultaneous, up to 4K (3840 × 2160) resolution is supported; if independent, up to 1920 × 1080 resolution for VGA output and up to 4K (3840 × 2160) resolution for HDMI output
- Independent CVBS output improves compatibility at the most possibility and serves as the aux output or live view output only

Storage and Playback

- One or two SATA interfaces (up to 6 TB capacity per HDD)
- 4/8/16-ch synchronous playback at up to 3 MP resolution
- Smart search for efficient playback
- Supports the 3rd party cloud storage (Dropbox/Google Drive/Microsoft OneDrive)

Smart Function

- Supports multiple VCA (Video Content Analytics) events for both analog and smart IP cameras
- VQD (Video Quality Diagnostics)
- Unlock pattern for device login for the *admin* and clear-text password available
- GUID file can be exported for password resetting and imported for finding the forgotten password
- Supports PTZ control via Omnicast VMS of Genetec protocol

Network & Ethernet Access

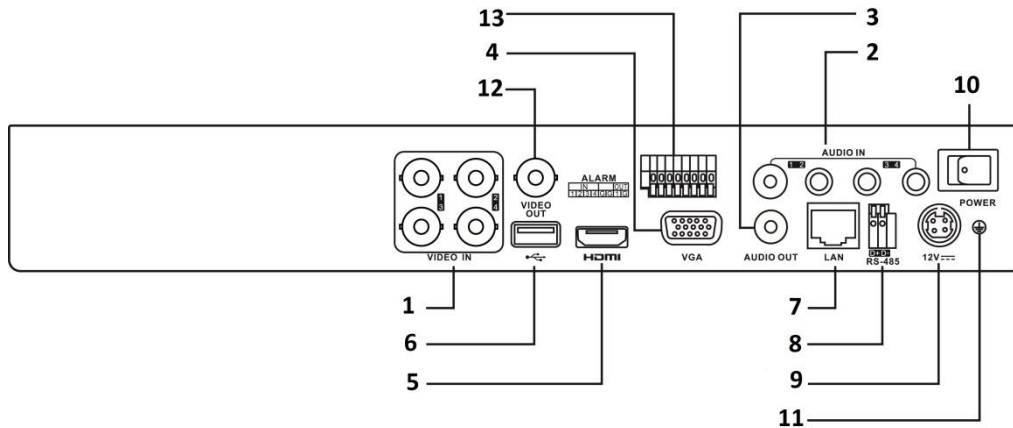
- Hik Cloud P2P & HiDDNS (Dynamic Domain Name System) for easy network management
- One gigabit Ethernet network interface (for DS-7608/7616HUHI-F2/N)
- Output bandwidth limit configurable



Specifications

Model		DS-7604HUHI-F1/N	DS-7608HUHI-F2/N	DS-7616HUHI-F2/N
Video/Audio input	Video compression	H.264+/H.264		
	Analog video input	4-ch	8-ch	16-ch
	HDTVI input	3 MP, 1080p25, 1080p30, 720p60, 720p50, 720p30, 720p25		
	AHD input	720p25, 720p30, 1080p25, 1080p30		
	CVBS input	Support		
	IP video input	4-ch (up to 8-ch) Up to 8 MP resolution	8-ch (up to 16-ch)	16-ch (up to 32-ch)
	Network bandwidth	96 Mbps	128 Mbps	144 Mbps (incoming bandwidth: 76 Mbps)
	Audio compression	G.711u		
	Audio input	4-ch, RCA (2.0 Vp-p, 1 K Ω)		
	Video/Audio output	CVBS output	1-ch, BNC (1.0 Vp-p, 75 Ω), resolution: PAL: 704 \times 576, NTSC: 704 \times 480	
HDMI/VGA output		1-ch, 1920 \times 1080/60Hz, 1280 \times 1024/60Hz, 1280 \times 720/60Hz, 1024 \times 768/60Hz	VGA: 1-ch, 1920 \times 1080/60Hz, 1280 \times 1024/60Hz, 1280 \times 720/60Hz, 1024 \times 768/60Hz HDMI: 1-ch, 4K (3840 \times 2160)/30Hz, 2K (2560 \times 1440)/60Hz, 1920 \times 1080/60Hz, 1280 \times 1024/60Hz, 1280 \times 720/60Hz, 1024 \times 768/60Hz	
Encoding resolution		3 MP/1080p/720p/WD1/4CIF/VGA/CIF		
Frame rate		Main stream: 3 MP@15fps; 1080p/720p/WD1/4CIF/VGA/CIF@25fps (P)/30fps (N) Sub-stream: WD1/4CIF@12fps; CIF/QVGA/QCIF@25fps (P)/30fps (N)		
Video bit rate		32 Kbps to 10 Mbps		
Audio output		1-ch, RCA (Linear, 1 K Ω)		
Audio bit rate		64 Kbps		
Dual stream		Support		
Stream type		Video, Video & Audio		
Synchronous playback		4-ch	8-ch	16-ch
Network management	Network protocols	TCP/IP, PPPoE, DHCP, Hik Cloud P2P, DNS, DDNS, NTP, SADP, NFS, iSCSI, UPnP™, HTTPS, ONVIF		
Hard disk	SATA	1 SATA interface	2 SATA interfaces	
	Capacity	Up to 6 TB capacity for each disk.		
External interface	Two-way audio input	1-ch, RCA (2.0 Vp-p, 1 K Ω) (using the audio input)		
	Network interface	1, RJ45 10M/100M self-adaptive Ethernet interface	1, RJ45 10M/100M/1000M self-adaptive Ethernet interface	
	USB interface	2 \times USB 2.0	Front panel: 1 \times USB 2.0; Rear panel: 1 \times USB 3.0	
	Serial interface	RS-485 (half-duplex)		
	Alarm in/out	4/1	8/4	16/4
General	Power supply	12 VDC		
	Consumption (without HDD)	\leq 15 W	\leq 20 W	\leq 40 W
	Working temperature	-10 $^{\circ}$ C to +55 $^{\circ}$ C (14 $^{\circ}$ F to 131 $^{\circ}$ F)		
	Working humidity	10% to 90%		
	Dimensions (W \times D \times H)	315 \times 242 \times 45 mm (12.4 \times 9.5 \times 1.8 inch)	380 \times 320 \times 48 mm (14.9 \times 12.6 \times 1.89 inch)	
	Weight (without HDD)	\leq 2 kg (4.4 lb)		

Physical Interfaces



NOTE

The rear panel of DS-7608/7616HUHI-F2/N provides 8/16 video input interfaces.

Index	Description	Index	Description
1	VIDEO IN	8	RS-485 Serial Interface
2	AUDIO IN, RCA Connector	9	12 VDC Power Input
3	AUDIO OUT, RCA Connector	10	Power Switch
4	VGA Interface	11	GND
5	HDMI Interface	12	VIDEO OUT
6	USB Interface	13	Alarm In/Out
7	LAN Network Interface		

Distributed by

Available Models

DS-7604HUHI-F1/N, DS-7608HUHI-F2/N, DS-7616HUHI-F2/N

HIKVISION®

Headquarters

No.555 Qianmo Road, Binjiang District,
Hangzhou 310051, China
T +86-571-8807-5998
overseasbusiness@hikvision.com

Hikvision USA
T +1-909-895-0400
sales.usa@hikvision.com

Hikvision Italy
T +39-0438-6902
info.it@hikvision.com

Hikvision Singapore
T +65-6684-4718
sg@hikvision.com

Hikvision Africa
T +27 (10) 0351172
sale.africa@hikvision.com

Hikvision Europe
T +31-23-55-42-770
info.eu@hikvision.com

Hikvision France
T +33(0)1-85-330-450
info.fr@hikvision.com

Hikvision Oceania
T +61-2-8599-4233
salesau@hikvision.com

Hikvision Hong Kong
T +852-2151-1761

Hikvision Middle East
T +971-4-8816086
salesme@hikvision.com

Hikvision Spain
T +34-91-737-16-55
info.es@hikvision.com

Hikvision Canada
T +1-909-895-0400
sales.usa@hikvision.com

Hikvision Russia
T +7-495-669-67-99
saleru@hikvision.com

Hikvision Poland
T +48-22-460-01-50
poland@hikvision.com

Hikvision Korea
T +82-31-731-8841
sales.korea@hikvision.com

Hikvision India
T +91-22-28469900
sales@pramahikvision.com

Hikvision UK
T +01628-902140
support.uk@hikvision.com

Hikvision Brazil
T +55 11 3318-0050
Latam.support@hikvision.com