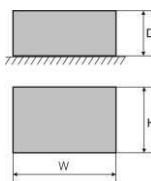
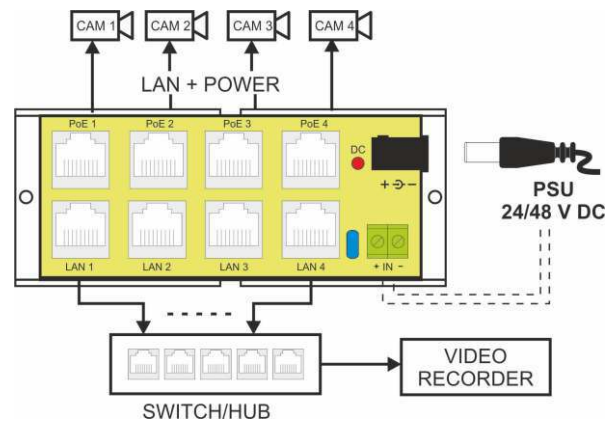
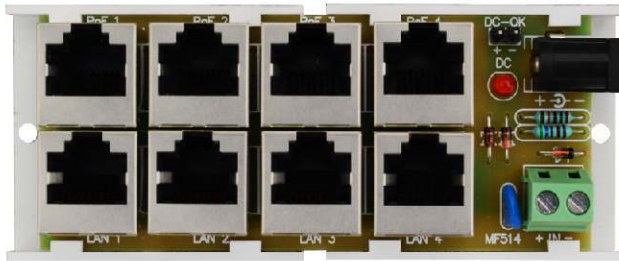


CODE: **AWZ602** v.1.0/l

EN**

NAME: **PoE/4x1A/1,5 Power supply distribution module for IP cameras (PoE)**



DESCRIPTION

The PoE4 power supply distribution module is designed to supply 4 IP devices (e.g. web cameras, access points, etc.) requiring voltage of **20V±56 V DC**. It is equipped with two power inputs: screw connection and DC jack 5,5/2,1. The power is supplied with use of four-pair twisted pair, using the **4/5 (+)** and **7/8 (-)** pairs, which, in accordance with the Ethernet network standard, are not used for data transmission (data transmission is performed using 1/2 and 3/6 pairs). The module cannot be used in Gigabit Ethernet, where all twisted pairs are involved in data transmission! The module is adapted for connection of cables with a maximum cross section of **1,5mm²**.



SPECIFICATIONS

Supply voltage	20V±56 V DC (-2%/+2%)
Output voltage	$U_{PoE} = U_{IN}$ (equal to supply voltage)
Current consumption	2mA @ $U_{in} = 24$ V DC 6mA @ $U_{in} = 48$ V DC
Number of power inputs	2: DC jack 5,5/2,1 or screw connection – 1,5mm² max. cable
Number of power outputs	4 (PoE terminals) – RJ-45 jack
Protections against a surge	Yes – varistors
LED indication	- red LED supply voltage indicator
Operating conditions	II environmental class, -10°C ÷ 50°C
Dimensions	105 x 43 x 24 (WxHxD) [mm]
Installation	A mounting panel with an adhesive tape, mounting screws x 2 (holes 3mm)
Connectors:	
- power supply input	- DC jack 5,5/2,1 or screw connection $\Phi 0,5 \div 2,05$ (AWG 24-12), $0,2 \div 1,5$ mm ²
- input/output LAN/PoE	- RJ-45 jack 8p8c
Net/gross weight	0,08kg / 0,10kg
Declarations, warranty	CE, 2 year from the production date