

**The module's features:**

- Three control inputs of technical signals: EPS, PSU, LoB
- C-operation with power supply units of the PSBS 13,8V and PSBS 27,6V series
- LED optical indication
- Protection against reverse connection of power supply
- Warranty – 5 years from the production date

**Technical description.**

The MPSBS relay module of technical outputs is designed to change the OC (open collector) outputs to relay outputs in buffer power supplies of the PSBS 13,8V and PSBS 27,6V series. The LEDs on the PCB indicate the status of the individual relays. Power supply input of the module is protected against reverse connection of power supply.

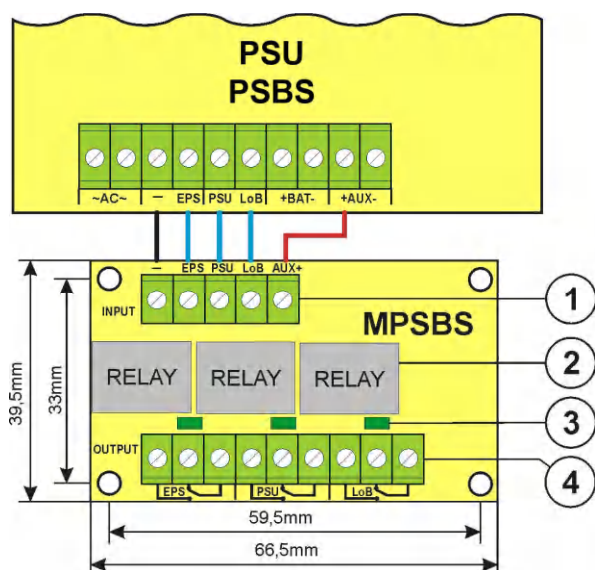


Fig. 1. The scheme of the module.

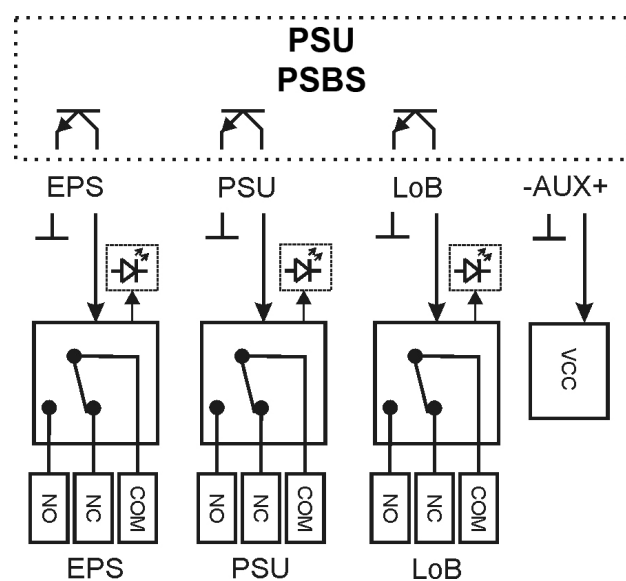


Fig. 2. Block diagram.

**Table 1. The description of components and module connectors.**

Component No. [Fig.1]	Description
①	<b>Terminals:</b> EPS, PSU, LoB – control inputs of technical signals AUX –DC supply input
②	<b>Relays</b>
③	<b>LEDs</b> – indication of relay activation
④	<b>EPS, PSU, LoB</b> - technical outputs, relay outputs

**Table 2. Technical parameters.**

<b>Supply voltage</b>	10V ÷ 30V DC
<b>Current consumption</b>	40 mA ÷ 65 mA @ U <sub>IN</sub> = 10V ÷ 30V DC
<b>Technical outputs (relay type)</b>	3 x 1A @ 30V DC/50V AC
<b>Optical indication</b>	Green LEDs - relay outputs status
<b>Operating conditions</b>	II environmental class, -10°C ÷ 40°C
<b>Dimensions</b>	66,5 x 39,5 x 18 (WxHxD) [mm] (+/-2)
<b>Mounting</b>	Mounting strip with adhesive tape
<b>Connectors</b>	Φ0,41÷1,63 (AWG 26-14)
<b>Net/gross weight</b>	0,04kg / 0,06kg

**WEEE LABEL**

Waste electrical and electronic equipment must not be disposed of with normal household waste. According to the European Union WEEE Directive, waste electrical and electronic equipment should be disposed of separately from normal household waste.

**WARRANTY**

Pulsar K. Bogusz Sp.j. (manufacturer) grants a five-year quality warranty for the equipment, starting from the production date.

**Pulsar K.Bogusz Sp.j.**

Siedlec 150, 32-744 Łapczyca, Poland  
Phone (+48) 14-610-19-40, Fax (+48) 14-610-19-50  
E-mail: [biuro@pulsar.pl](mailto:biuro@pulsar.pl), [sales@pulsar.pl](mailto:sales@pulsar.pl)  
http:// [www.pulsar.pl](http://www.pulsar.pl), [www.zasilacze.pl](http://www.zasilacze.pl)