

# HPSBOC series power supply unit



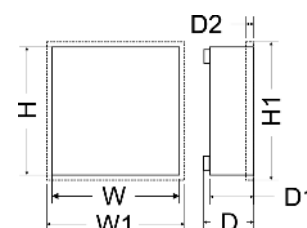
Buffer, switch mode power supply unit 13,8V DC with technical outputs.

EN

CODE: **HPSBOC 11A12D** v.1.0/IV  
TYPE: **HPSBOC 13,8V/10A/40Ah/OC** Buffer, switch mode power supply unit with technical outputs.



*GREEN POWER plus*



## Features:

- DC 13,8V/10A uninterruptible power supply\*
- fitting battery: 40Ah/12V
- wide range of mains supply: 176÷264V
- high efficiency 83%
- battery charging and maintenance control
- excessive discharging (UVP) protection
- jumper selectable battery charge current 1A/4A
- battery output full protection against short-circuit and reverse polarity connection
- LED indication
- EPS technical output indicating AC power loss – OC and relay type
- PSU technical output indicating PSU failure – OC and relay type
- LoB technical output indicating battery low voltage – OC and relay type
- protections:
  - SCP short-circuit protection
  - OVP overvoltage protection
  - overvoltage protection
  - against sabotage
  - overload protection (OLP)
- warranty – 2 year from the production date

## DESCRIPTION

A buffer PSU is intended for an uninterrupted supply to devices requiring stabilised voltage of **12V DC (+/-15%)**. The PSU provides voltage of **U=13,8VDC**. Current efficiency:

1. Output current 10A + 1A battery charge\*
2. Output current 7A + 4A battery charge\*

**Total device current + battery: 11A max\*.**

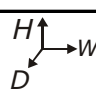
In case of power decay, a battery back-up is activated immediately. The PSU is constructed based on the switch mode PSU, with high energy efficiency. The PSU is housed in a metal enclosure (colour RAL 9003) which can accommodate a 40Ah/12V battery. A micro switch indicates door opening (front cover).

\* See chart 1

# HPSBOC series power supply unit



Buffer, switch mode power supply unit 13,8V DC with technical outputs.

SPECIFICATIONS	
PSU type	A (EPS - External Power Source)
Mains supply	176÷264V AC 50÷60Hz
Current up to	1,4A@230VAC
Supply power	155W max.
Efficiency	83%
Output voltage	11V÷ 13,8V DC – buffer operation 9,5V÷13,8V DC – battery-assisted operation
Output current $t_{AMB}<30^{\circ}C$	<b>10A + 1A battery charge - see chart 1</b> <b>7A + 4A battery charge - see chart 1</b>
Output current $t_{AMB}=40^{\circ}C$	<b>6,7A + 1A battery charge - see chart 1</b> <b>3,7A + 4A battery charge - see chart 1</b>
Voltage adjustment range	12÷14VDC
Ripple	120mV p-p max.
Battery charge current	1A or 4A max. @ 40Ah ( $\pm 5\%$ ) – jumper selectable
Short-circuit protection SCP	electronic, automatic recovery
Overload protection OLP	105-150% of power supply, automatic recovery
Battery circuit protection SCP and reverse polarity connection	polymer fuse
Surge protection	varistors
Overvoltage protection OVP	>16V (automatic recovery)
Excessive discharge protection UV:	$U < 9,5V (\pm 5\%)$ – disconnection of battery terminal
Tampering protection system: - TAMPER – indicating unwanted opening of the PSU's enclosure	- a microswitch, NC contacts (enclosure closed) 0,5A@50V DC (max.)
Technical outputs: - EPS; output indicating AC power failure  - PSU; output indicating DC absence/PSU failure  - LoB output indicating battery low voltage	- relay type: 1A@ 30VDC/50VAC, time lag: approx. 10s. - OC type, 50mA max., normal status: L (0V) level, failure: hi-Z level, time lag: 10s.  - relay type: 1A@ 30VDC/50VAC, - OC type, 50mA max., normal status: L (0V) level, failure: hi-Z level  - relay type: 1A@ 30VDC/50VAC, - OC type, 50mA max., normal status: ( $U_{BAT} >11,5V$ ): L (0V) level, failure: ( $U_{BAT} <11,5V$ ): hi-Z level
LED indication	Yes
Operating conditions	2nd environmental class, $-10^{\circ}C \div 40^{\circ}C$
Enclosure	Steel plate, DC01 1,5mm colour: RAL 9003
Enclosure dimensions	325 x 355 x 170+8 (WxHxD) [mm]
Net/gross weight	5,50kg / 5,80kg
Fitting battery	40Ah/12V (SLA) max. 197x175x165mm (WxHxD) max
	
Closing	Cheese head screw x 2 (at the front), (lock assembly possible)
Deklarations, warranty	CE, RoHS, 2 year from the production date
Notes	The enclosure does not adjoin the assembly surface so that cables can be led. PSU cooling: convection. Power supply: $\Phi 0,63-2,50$ (AWG 22-10) Outputs: $\Phi 0,63-2,50$ (AWG 22-10) Battery output BAT: 6,3F-2,5

# HPSBOC series power supply unit



Buffer, switch mode power supply unit 13,8V DC with technical outputs.

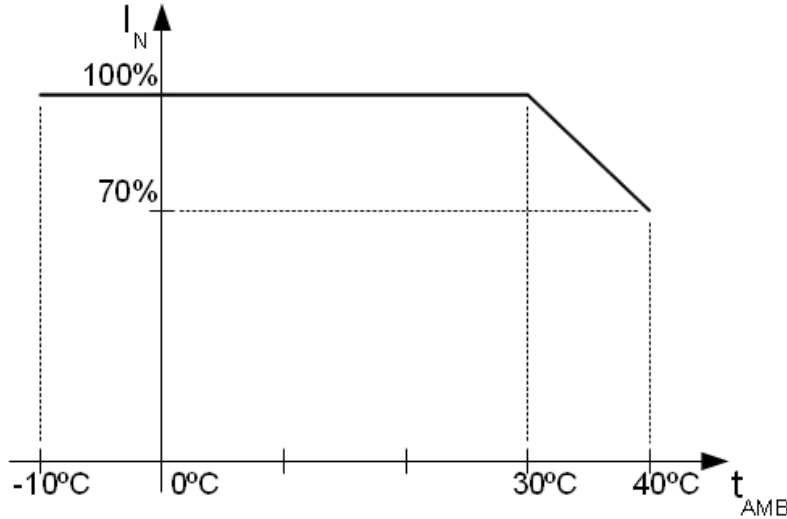
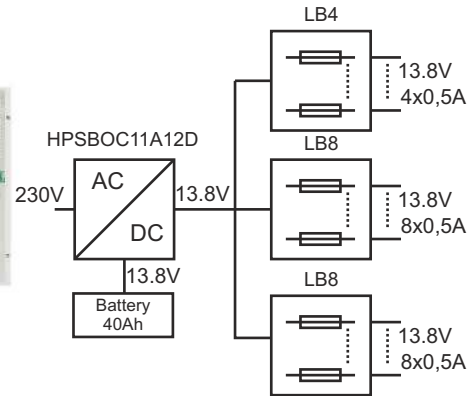


CHART 1. Acceptable output current from the PSU depending on ambient temperature.

## Optional configurations:

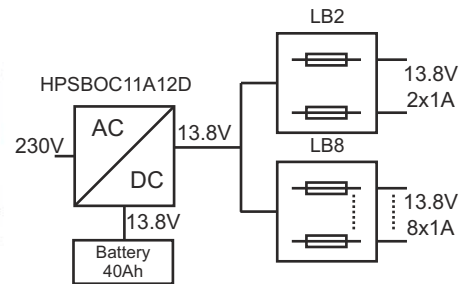
### Buffer power supply unit HPSBOC 13,8V/20x0,5A/40Ah.

- HPSBOC11A12D + 2xLB8 16x0,5A (AWZ578 or AWZ580) + LB4 4x0,5A (AWZ574 or AWZ576) + 40Ah



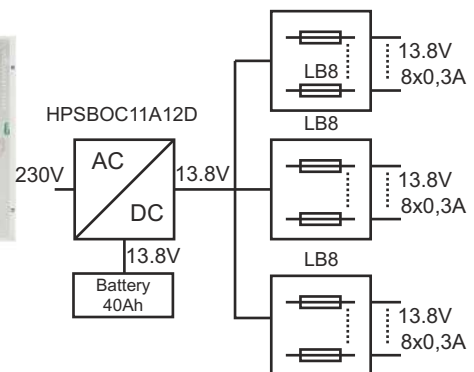
### Buffer power supply unit HPSBOC 13,8V/10x1A/40Ah.

- HPSBOC11A12D + LB8 8x1A (AWZ579 or AWZ580) + LB2 2x1A (AWZ585 or AWZ586) + 40Ah



### Buffer power supply unit HPSBOC 13,8V/24x0,3A/40Ah.

- HPSBOC11A12D + 3xLB8 24x0,3A (AWZ577 or AWZ580) + 40Ah



# HPSBOC series power supply unit

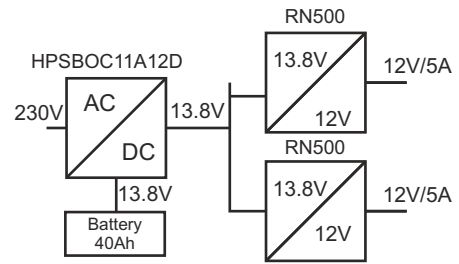


Buffer, switch mode power supply unit 13,8V DC with technical outputs.

## Optional configurations:

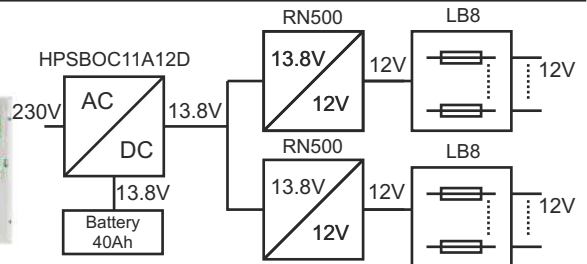
### Buffer power supply unit HPSBOC 13,8V/2x12V/2x5A/40Ah.

- HPSBOC11A12D + 2xRN500 (13,8V/12V) + 40Ah



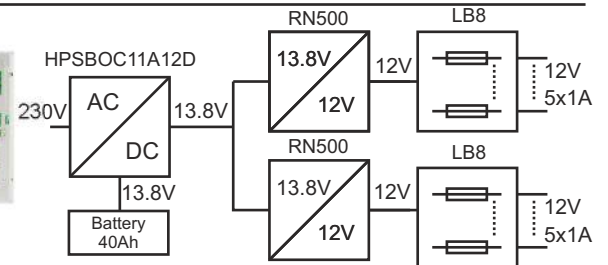
### Buffer power supply unit HPSBOC 13,8V/2x12V/16x0,5A/40Ah.

- HPSBOC11A12D + 2xRN500 (13,8V/12V) + 2xLB8 16x0,5A (AWZ578 or AWZ580) + 40Ah



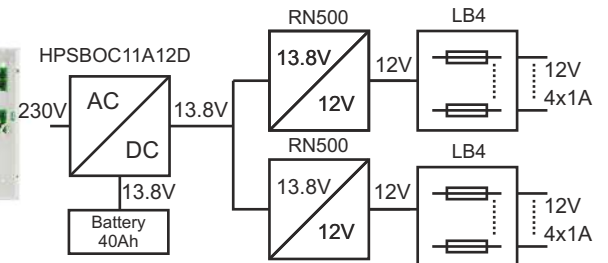
### Buffer power supply unit HPSBOC13,8V/2x12V/10x1A/40Ah.

- HPSBOC11A12D + 2xRN500 (13,8V/12V) + 2xLB8 10x1A (AWZ579 or AWZ580) + 40Ah



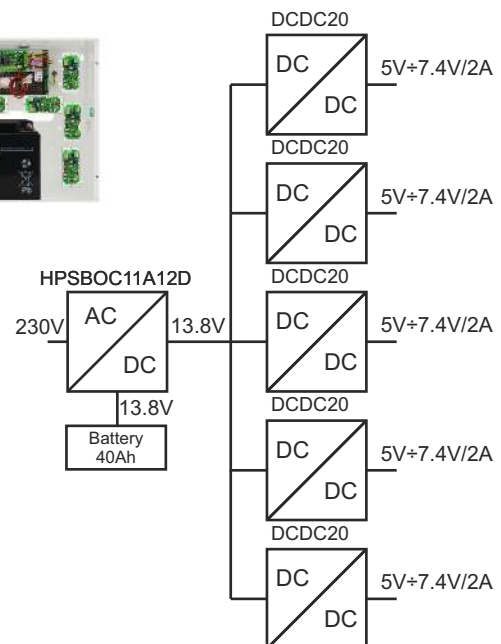
### Buffer power supply unit HPSBOC 13,8V/2x12V/8x1A/40Ah.

- HPSBOC11A12D + 2xRN500 (13,8V/12V) + 2xLB4 8x1A (AWZ575 or AWZ576) + 40Ah



### Buffer power supply unit HPSBOC13,8V/5x5V÷7,4V/5x2A/40Ah.

- HPSBOC11A12D + 5xDCDC20 (5V÷7,4V/5x2A) + 40Ah



# HPSBOC series power supply unit



Buffer, switch mode power supply unit 13,8V DC with technical outputs.

## Optional configurations:

**Buffer power supply unit HPSBOC 13,8V/5x5V÷7,4V/10x1A/40Ah.**

- HPSBOC11A12D + 5xDCDC20 (5V÷7,4V/5x2A) + 5xLB2 10x1A (AWZ585 or AWZ586) + 40Ah

