



Motorisation for garage doors
Dexxo RTS



Motorisation for sliding gates
Elixo 500 230 V | 3S RTS
Elixo 800 | 1300 | 2000 RTS



Motorisation for swinging gates
Ixengo S | L RTS



Motorisation for road barriers
Levixo 30 | 50 RTS

Dexxo RTS



Motorization for garage doors

UP TO 15² M



Reliable and robust motorization for every installation configuration

- **Very easy to use**
 - Starts working in less than 90 seconds.
 - All settings are pre-programmed.
- **Extensive scope for customizing the installation**
 - Adjustable obstacle detection sensitivity.
 - Adjustable docking speed when closing.
 - Built-in lighting.
 - Part opening possible.
 - A wide range of safety & convenience accessories can be connected.
 - A backup battery can be incorporated in motor unit to cater for power cuts.
- **Garage door security features**
 - Burglar-proof lock.
 - Alarm siren triggered in event of forcing.
- **Compatible with solar power supply**



Technical characteristics

	DEXXO PRO 800 3S RTS	DEXXO PRO 1000 3S RTS	DEXXO OPTIMO RTS
Applications			
Motor voltage	24 V-DC		
Max power consumption in operation	600 W (with 500 W separate lighting unit)		120 W
Traction force - peak force	800 N	1000 N	800 N
Maximum power consumption on standby	5 W		4 W
Maximum number of operations/day	20 (standard rail), 50 (high-performance rail)		20 (standard rail)
Maximum speed	18 cm/s		14 cm/s
Operating temperature	-20°C / +60°C		
RTS radio frequency	433.42 MHz		
Number of remote controls that can be memorized	32		
Tested for	36,500 cycles (standard rail) - 90,000 cycles (high-performance rail)		36,500 cycles (standard rail)

Dexxo Pro 3S RTS Kits

ref. 1216269

ref. 1216270



Dexxo Pro 800 3S RTS motor + 2 Keygo RTS

Dexxo Pro 1000 3S RTS motor + 2 Keygo RTS

Dexxo Optimo RTS Kits

ref. 1216127

ref. 1216195

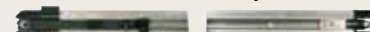


Dexxo Optimo RTS motor + 1 Keytis^{NS} RTS

Dexxo Optimo RTS motor + 2 Keytis^{NS} RTS

Garage door transmission rails

Chain transmission rail: 36,500 cycles



Belt transmission rail: 36,500 cycles



High-performance transmission rail: 90,000 cycles



Elixo 500 230 V RTS



Motorization for sliding gate

UP TO 8 M | 500 KG



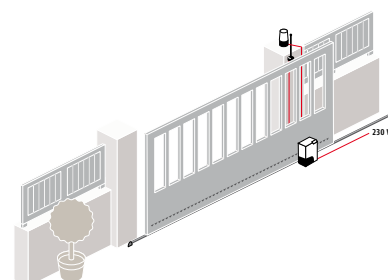
Motor ground fixation



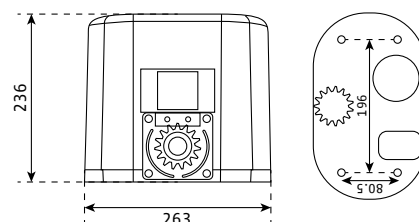
Reliable and hard-wearing for sliding gates

- Easy to install**
 - Easy access to ground fixation screws from the top.
 - No adjustment needed from the installer.
- Reliability and durability**
 - Mechanics and electronics based on 30 years of experience.
 - Suitable for residential use and tested for 180,000 openings and closings.
 - Long lifetime with soft stop at the end of travel.
- Convenient to use**
 - Easy key unlocking from inside.

Standard installation:



General overall size:



Technical characteristics

ELIXO 500 KIT STANDARD 230 V

Power supply	230 V - 50/60 Hz
Motor power supply	230 V AC
Power consumption	290 W
Capacitor	10 µF (230 V) - 40 µF (110 V)
Motor revolutions	1400 rpm
Maximum consumed current	1.5 A (230 V) - 3A (110 V)
Revolutions at output	48 rpm
Number of storable channels	36
Operating time	0 - 120 s
Gate speed	8.5 m/min
Maximum torque	20 Nm
Number of cycles/day	100

Kit: ref. 1216368

Elixo 500 230 V RTS + 2 Keygo	Amber light	Photocells Master Pro Bitech	RTS outdoor antenna 3 m
Ref. 1216367	Ref. 9015034	Ref. 1841155	

Accessories



4 m of steel-reinforced nylon rack

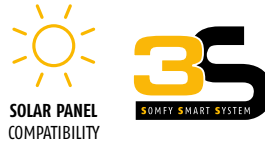
Ref. 1841116

Elixo 3S 500 RTS



Motorization for sliding gate

UP TO 8 M | 500 KG



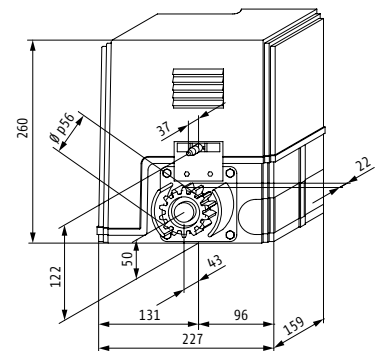
3S electronics



Pinion module 4 - 14 teeth

Reliable, hard-wearing,
silent for sliding gates

- **Robustness** for gate up to 500 kg in residential or commercial.
- **Self learning programming system:** Autoregulation of speed and torque in relation with the gate weight (24V version only).
- **Intuitive programming interface:** Direct view on a **large LCD screen** to facilitate parameters modification (24V version only).
- **Compatible with solar system:** No need for power supply (24V version only).
- **Backup battery pack** (option) in case of power failure (24V version only).
- **Mechanical declutching system** to open the gate with hand.
- **General overall size:**



Technical characteristics

ELIXO 500 KIT STANDARD 24 Vdc

Motor power supply	24 Vdc
Power consumption	70 W
Capacitor	NA
Gear reduction ratio	1/44
Gate speed	12 m/min
Obstacle detection	Electronic torque limiter
Max. number of operations/day	30
Control electronics	Integrated with LCD display
Operating temperature	-20°C to +60°C
Protection factor	IP 54
RTS remote control frequency	433.42 Mhz
Number of remote controls that can be memorized	36

Kit: ref. 1216314

Elixo 3S 500 RTS + 2 Keygo	Amber light	White battery	Photocells Master Pro Bitech
Ref. 1216313	Ref. 9014082	Ref. 9001001	Ref. 1841155

Elixo 800/1300/2000 230 V RTS



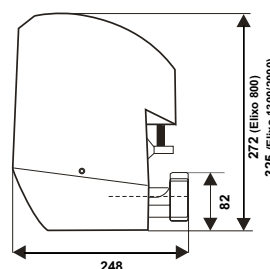
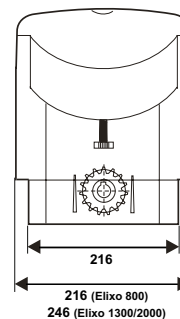
Motorization for sliding gate

UP TO 20 M | 2000 KG



Powerful, precise and safe for motorizing the largest sliding gates

- **Robustness** for gate up to 2000kg in residential or commercial.
- Adjustable impact force.
- **Self learning programming system:** Adjustment of impact force and slow down phases.
- **Embedded position encoder** for precise management of course and slow down phases.
- **Mechanical declutching system** to open the gate manually.
- **General overall size:**



Technical characteristics	ELIXO 800 KIT STANDARD	ELIXO 1300 KIT STANDARD	ELIXO 2000 KIT STANDARD
Reference	1216329	1216264	1216330
Maximum weight of the gate	800 Kg	1300 Kg	2000 Kg
Motor power supply	230 V - 50 Hz		
Power consumption	240 W	260 W	270 W
Speed	10 m/min		
Impact force	Electronic detection adjustable		
Slowing zone	Adjustable gate travel - Adjustable impact force		
Number of cycles	Max per day: 100 - Heating protection: 150° C Max consecutive: 12 cycles for 7m course & 6 cycles for 10 m course		
Motor working time - Max safety time	300 s		
Gear reduction ratio	1/28		
Max number of operation per day	100		
Operating temperature	-20°C to +60°C		
Protection factor	IP 54		
Area lighting	230 Vac - 100 W max. - Area lighting time: fixed 90 seconds		

Accessories



Radio keypad metal RTS

Ref. 1841116



Amber light Master Pro 230 V

Ref. 9015882



1 meter steel rack

Ref. 9011069



Photocells / Protection cover

Ref. 9014994 / 9015132

Ixengo S/L 3S & 230 V RTS



Motorization for swinging gate

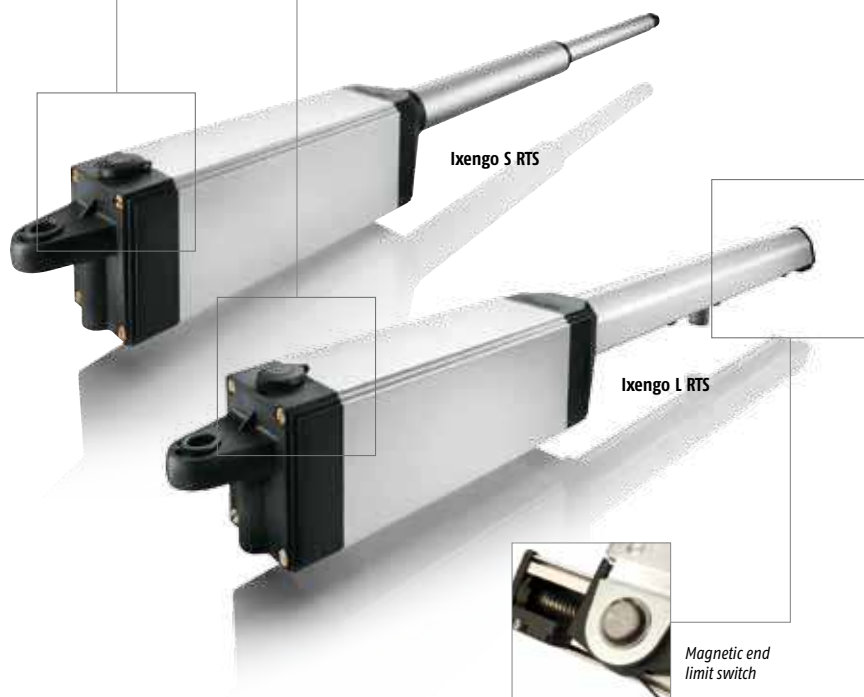
UP TO 4 M | 400 KG PER LEAF



SOLAR PANEL
COMPATIBILITY



Mechanical external
declutching system



Ixengo S RTS

Ixengo L RTS



Magnetic end
limit switch

Durable, efficient
and safe for
iron-and-steel gates

- **S: Robustness** for leaf up to 200 kg & 1.8 m in residential or commercial.
- **L: Robustness** for leaf up to 400 kg & 4 m in residential or commercial.
- **Self learning programming system:** Autoregulation of speed and torque in relation with the gate weight (24V version only).
- **Intuitive programming interface:** Direct view on a **large LCD screen** to facilitate parameters modification (24V version only).
- **Precise adjustment of leaf position:** Magnetic integrated end limit switch.
- **Backup battery pack** (option) in case of power failure (24V version only).

TECHNICAL CHARACTERISTICS	24V IXENGO S 24	230V IXENGO S 230	24V IXENGO L 24	230V IXENGO L 230
Standard Kit reference	1216308	1216219	1216309	1216220
Comfort Kit reference	1216310	1216226	1216311	1216227
Motor power supply	24 Vdc	230 V ± 10% 50/60 Hz	24 Vdc	230 V ± 10% 50/60 Hz
Power consumption	40 W	210 W	40 W	210 W
Push and pull force	2,000 N		2,000 N	
Working stroke	280 mm		410 mm	
Stem speed	14 mm/s	12 mm/s	14 mm/s	12 mm/s
Max. number of operations/day	60		60	
Max. leaf length	1,800 mm		3,000 mm without / 4,000 mm with electric lock	
Max. leaf weight	200 kg		400 kg	
Operating temperature / Protection factor	-20°C to +60°C / IP 54		-20°C to +60°C / IP 54	
Number of remote controls that can be memorized	36		36	

Accessories



Key switch

Ref. 1841036



Electric lock

Ref. 9011073



Ground plate

Ref. 9011074

3S control board



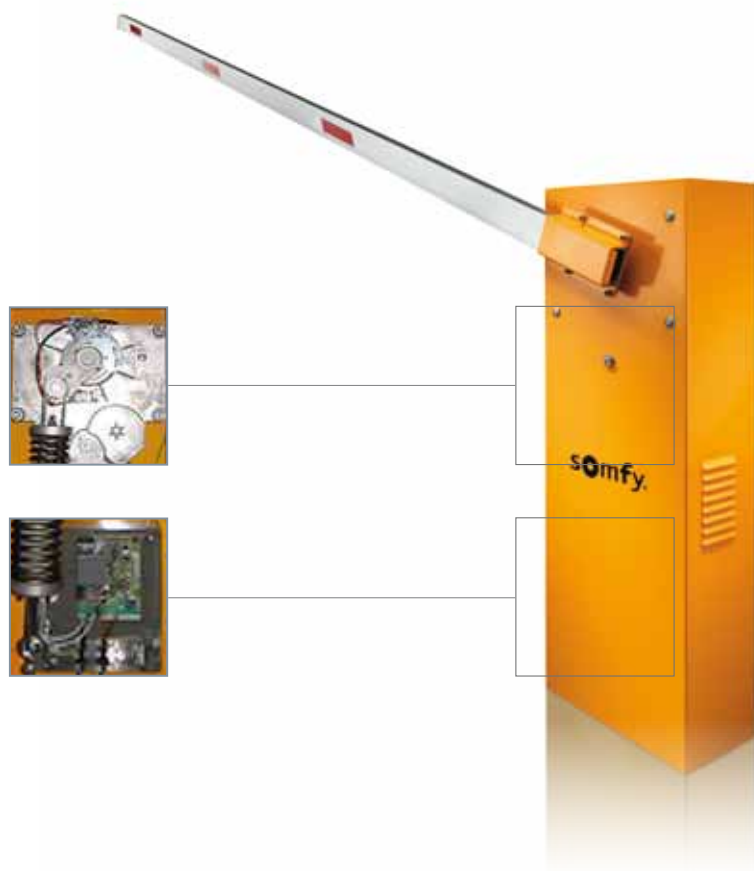
Ref. 1841147

Levixo 30/50 V RTS



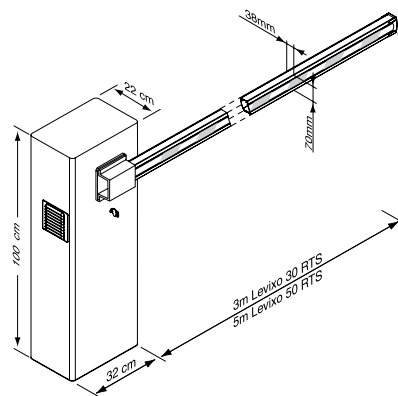
Motorization for road barriers

UP TO 5 M



Road barriers robust, durable and suitable for intensive use.

- **Two models:**
 - > 3 metres – opening in 4 seconds
 - > 5 metres – opening in 8 seconds
- Suitable for intensive use up to **1200 cycles/day**
- **General overall size:**



TECHNICAL CHARACTERISTICS	LEVIXO 30 RTS	LEVIXO 50 RTS
Reference	1216339	1216340
Motor power supply	230 V ± 10% 50-60 Hz	
Maximum power consumption	300 W	
Accessory supply output	24 V / 180 mA	
Maximum number of operations per day	1200	600
Number of channels	36	
RTS remote control frequency	433.42 MHz	
Motor torque	85 Nm	250 Nm
Operating temperature	-10°C to +55°C	
Max. number of operations/day	1200	600
Protection factor	IP 24	
Tested for	2 million cycles	1 million cycles

Accessories



Anchor base for barrier foundation

Ref. 9017043



Boom rest fork

Ref. 9017044



Photocell mounting columns

Ref. 9017210



Protection rubber for boom

Ref. 9017045

LEBANON

Abi Habib, Chaaya & Azar Bldg
5th floor
Pierre Gemayel Street
PO Box 90-873, Jdeideh
El Metn, Lebanon
T +961 1 888 391
F +961 1 888 392
E contact_lb@somfy.com

CYPRUS

Nicolaou Pentadromos Centre
5th floor
Office 503
Pentadromos junction
PO Box 56150
Limassol 3025, Cyprus
T +357 25 34 55 40
F +357 25 34 19 48
E contact_cy@somfy.com

JORDAN

16, Al Mahara Street
Al Rawabi District
11810 Wadi Al Sir
Amman, Jordan
T +962 6 582 16 15
F +962 6 582 83 39
E contact_jo@somfy.com

SYRIA

T/F +963 955 580 700
E contact_jo@somfy.com

IRAN

Unit 11, No. 1831
Opposite to Faculty of Economics
North Kargar Avenue
Postal Code 1413683161
Tehran, Iran
T +98 21 88 63 52 43
T/F +98 21 88 63 50 67
E contact_ir@somfy.com

KSA - JEDDAH

Amalkis Center, 2nd floor
Office 12, King Abdul Aziz road
Shati #3 District
PO Box 118866
Jeddah 21312, KSA
T +966 2 607 7265
F +966 2 612 0564 Ext.100
E contact_sa@somfy.com

KSA - RIYADH

Ma'az Center, Block B
2nd floor, Office 17
Salah El Dine Street
Sulaymaniyah
PO Box 245275
Riyadh 11312, KSA
T +966 1 810 1359
F +966 1 214 8201
E contact_sa@somfy.com

KSA - DAMMAM / BAHRAIN

Port Gate Bldg, Port road
Dammam, KSA
T +966 3 814 5715
F +966 3 814 4957
E contact_sa@somfy.com

KUWAIT

Office 19, Waha Mall, Al Dajij
Forwaniya, Kuwait
T +965 2 43 48 901
F +965 2 43 48 906
E contact_kw@somfy.com

SOUTH AFRICA

Lagoon Beach Office Park
Office 2, Block B
3 Lagoon Beach Road
Milnerton 7441, South Africa
T +27 21 551 9698
F +27 21 551 4024
E contact_za@somfy.com

UNITED ARAB EMIRATES

Jebel Ali Free Zone
PO Box 61456
Dubai, UAE
T +971 4 88 32 808
F +971 4 88 32 809
E contact_gulf@somfy.com

EGYPT

70 Al Thawra Street
6th Floor, Heliopolis
Cairo, Egypt
T/F +20 2 2291 2600
E contact_eg@somfy.com

TUNISIA

Tanit Center, Rte Gp9
2046 Sidi Daoud
La Marsa, Tunisia
T +216 70 93 74 77
F +216 70 93 63 70
E contact_tn@somfy.com

MOROCCO

29, Rue Ibnou Majid Al Bahar
Casablanca, Morocco
T +212 5 22 44 35 00
F +212 5 22 44 35 23
E contact_ma@somfy.com

ALGERIA

19, Cirta Hydra road
16 035 Alger, Algeria
F +213 21 48 05 66
M +213 770 17 11 17

TURKEY

Kisikli Cad. Basaran Is Merkezi
No: 3, K: 2, Altunizade, Üsküdar
Istanbul 34662, Turkey
T +90 216 651 30 15
F +90 216 651 30 17
E contact_tr@somfy.com